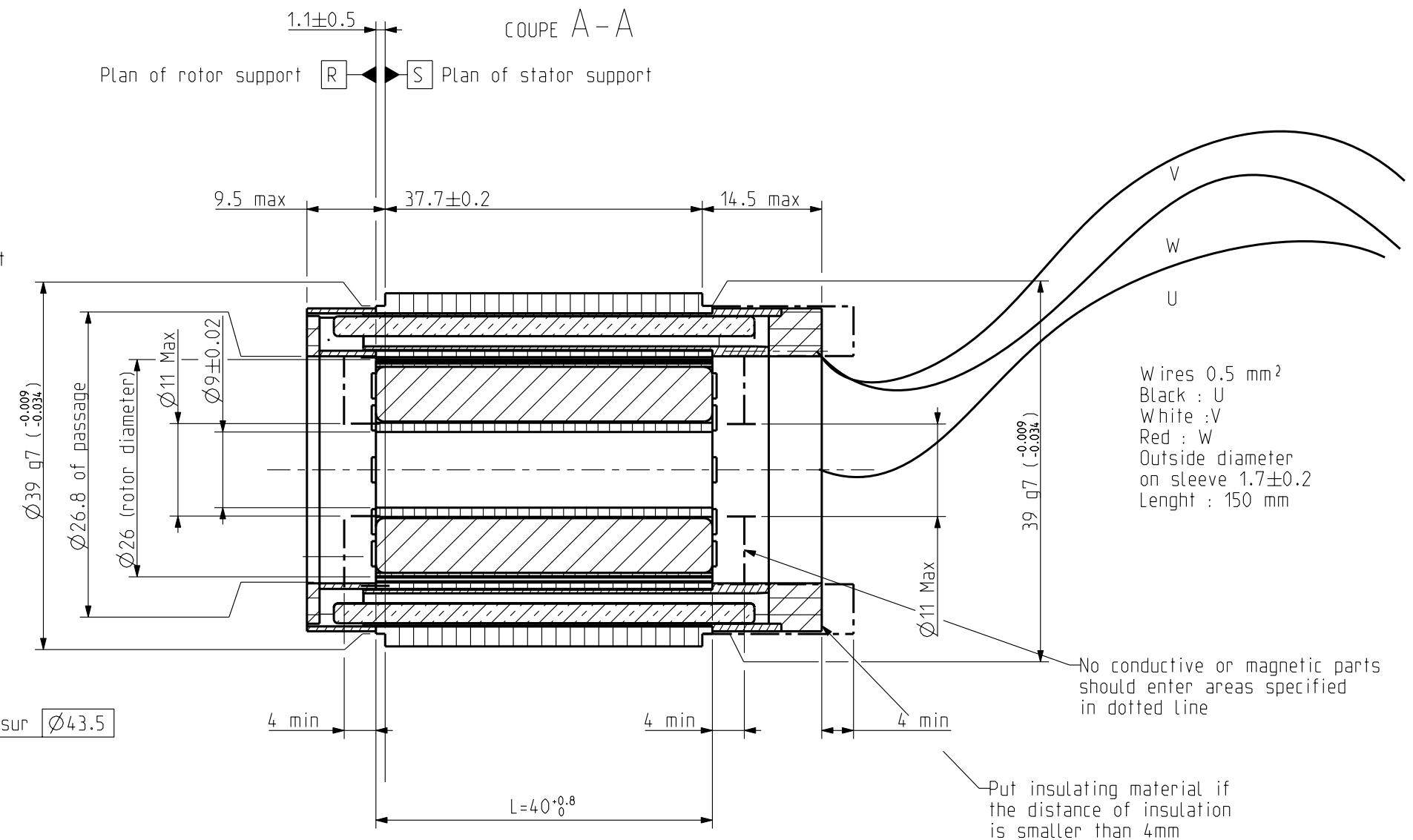


COUPE A-A
Plan of rotor support [R] Plan of stator support [S]



Wires 0.5 mm²
Black : U
White : V
Red : W
Outside diameter on sleeve 1.7±0.2
Length : 150 mm

No conductive or magnetic parts should enter areas specified in dotted line

Put insulating material if the distance of insulation is smaller than 4mm

N K 1 1 _ E _ _ R 1 _ 0 0

Torque classes (depends of lenght)

windings (depends of speed)

0 : Base motor

K : sensorless kit motor

Weight

0.4 kg

This document is the property of PARVEX. Transmission as well as reproduction or copy is not permitted without written authorisation.

General tolerances
DIN ISO 2768 mK

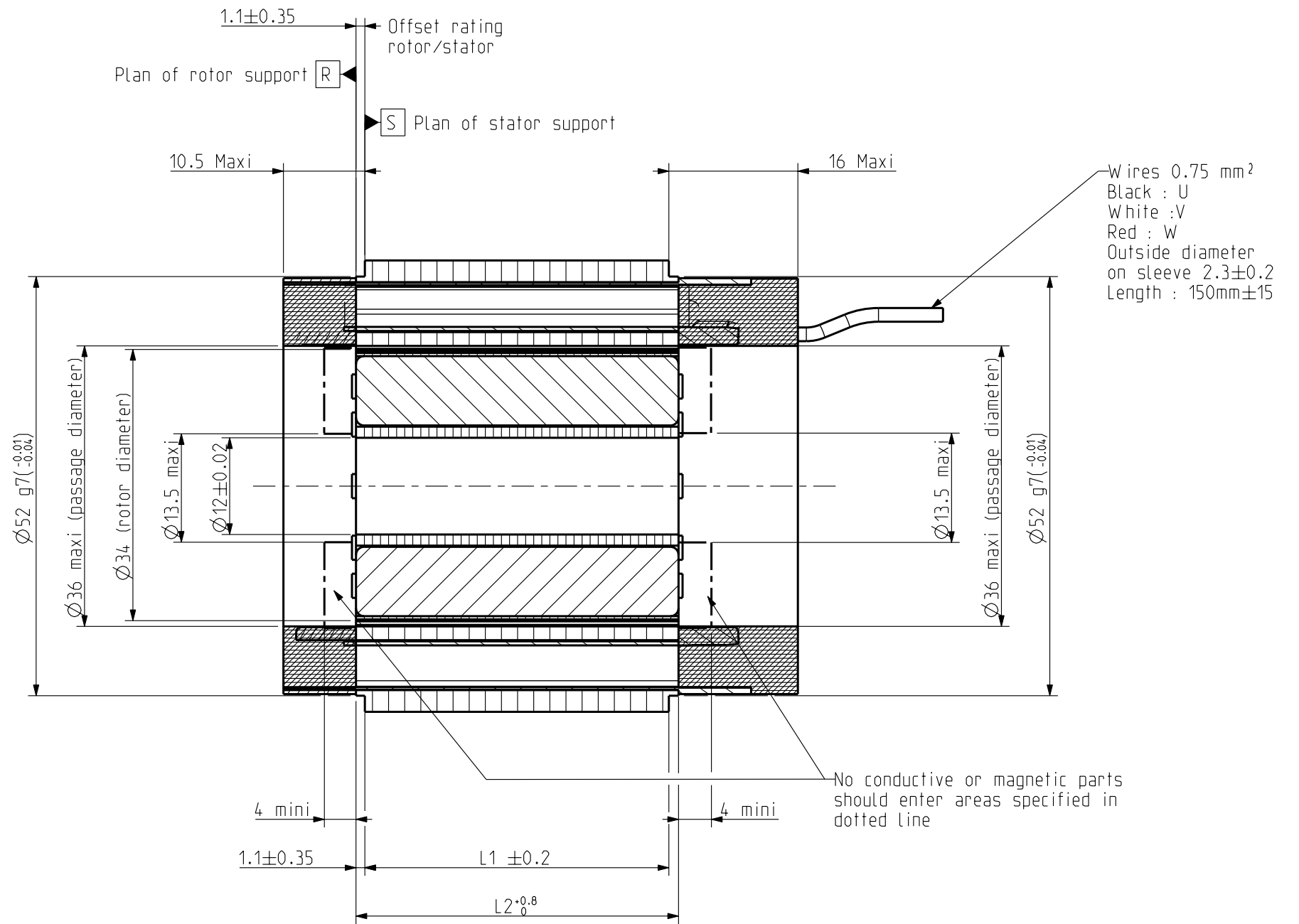
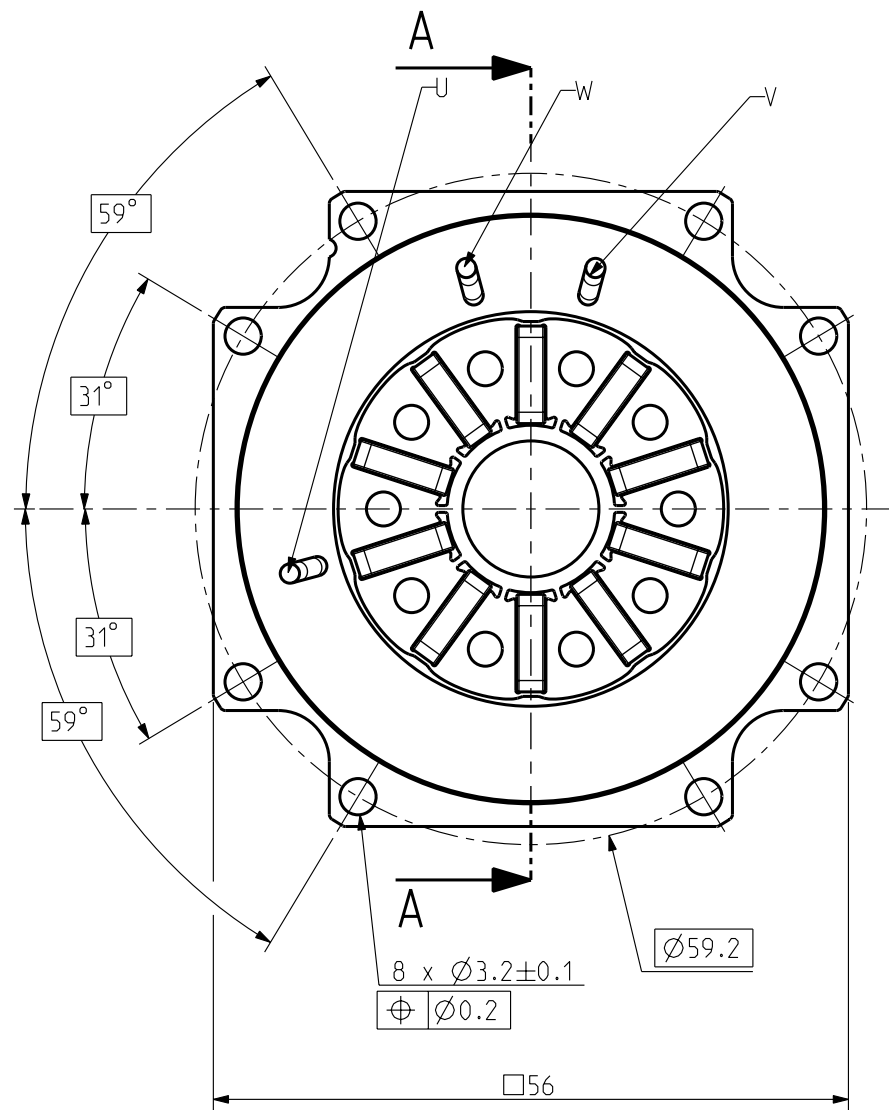
Drawn	11/03/10	OD	Visa					
Modifications	B	AM 23507 02/12/10 OD						
	A	AM 23481 12/10/10 OD						

Scale
3:2

Parker
SSD Parvex
8 Avenue du Lac. BP249
21007-DIJON cedex-FRANCE
www.SSDdrives.com

NK110
OUTLINE DRAWING

Format	F	E	S	G	I	
A3	x					
344443						B

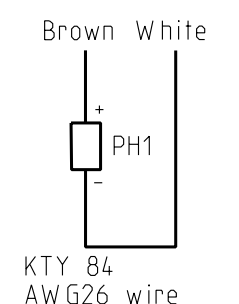
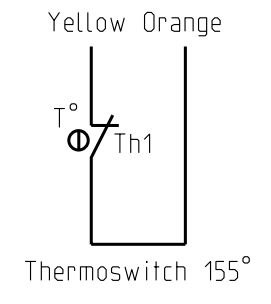
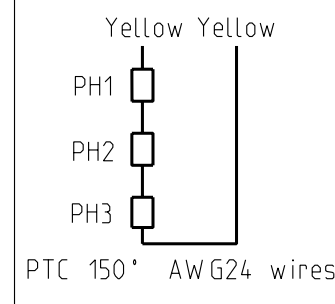
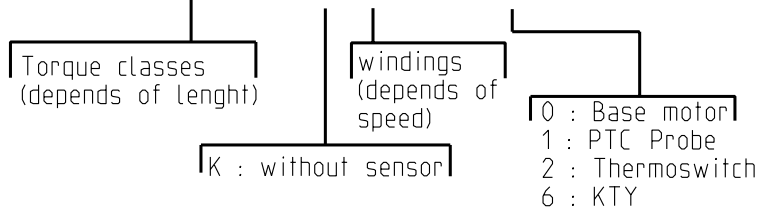


Wires 0.75 mm²
 Black : U
 White : V
 Red : W
 Outside diameter on sleeve 2.3±0.2
 Length : 150mm±15

No conductive or magnetic parts should enter areas specified in dotted line

COUPE A-A

N K 2 _ _ E _ _ R 1 _ 0 0



	L1	L2	Weight
NK205	17.7	20	0.4 kg
NK206	22.7	25	0.5 kg
NK210	37.7	40	0.7 kg

This document is the property of PARVEX. Transmission as well as reproduction or copy is not permitted without written authorisation.

General tolerances
 DIN ISO 2768 mK

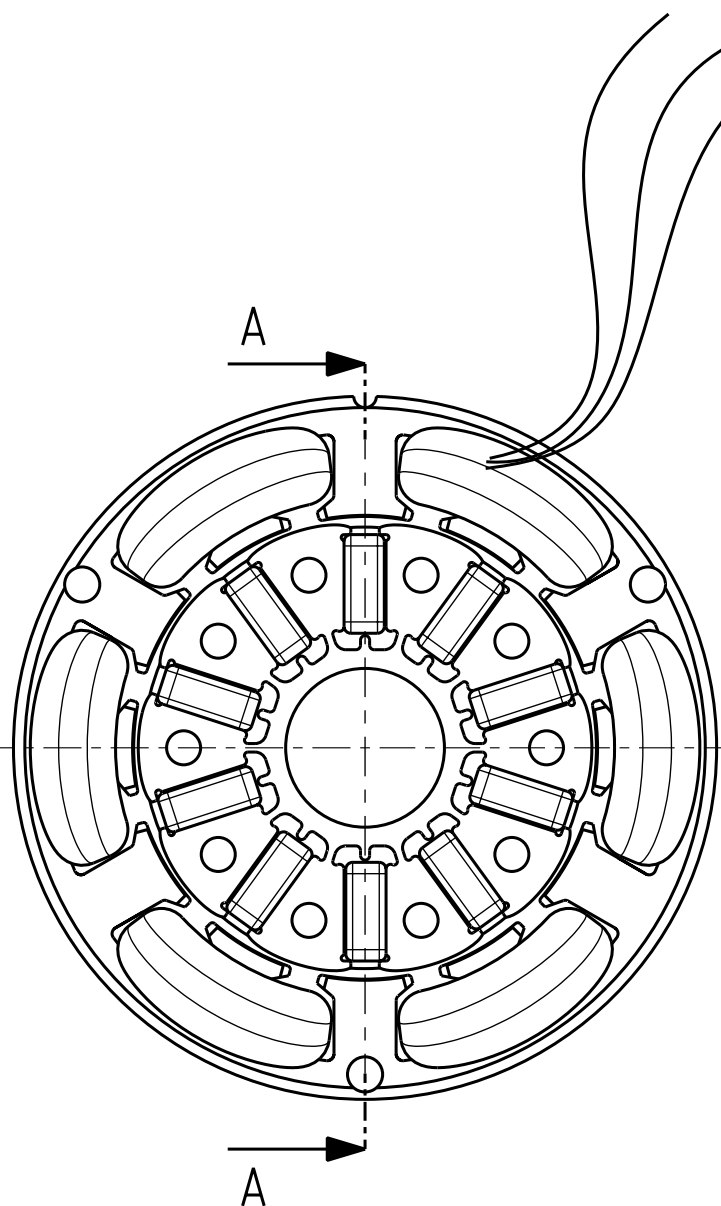
Drawn	11/03/10	OD	Visa					
Modifications	C	AM 24198 04/10/13 AH						
	B	AM 23507 02/12/10 OD						
	A	AM 23481 12/10/10 OD						

Scale
 3:2



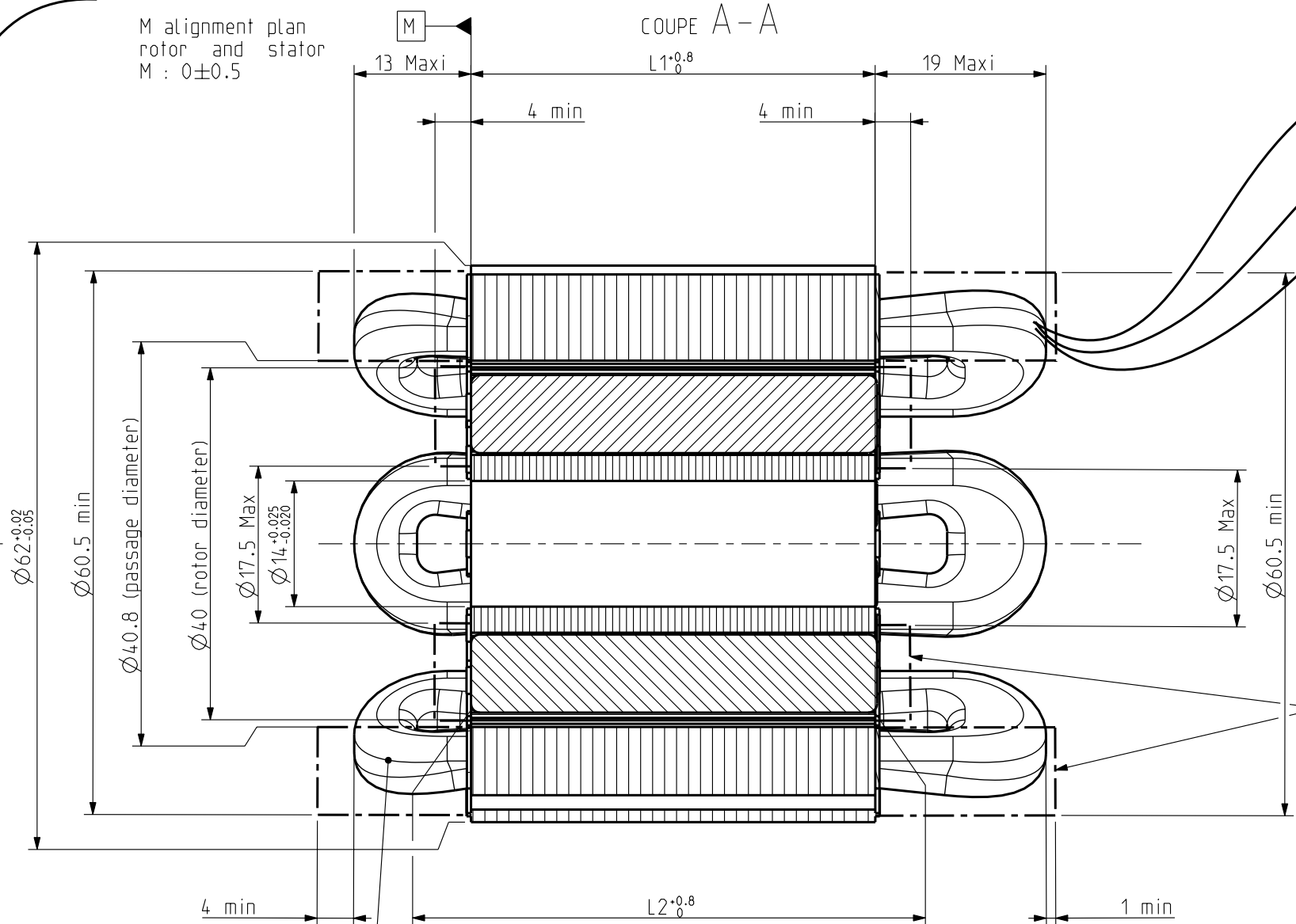
NK2..
 OUTLINE DRAWING

Format	F	E	S	G	I
A3	x				
344444					



M alignment plan rotor and stator
M : 0±0.5

COUPE A - A
L1^{0.8}

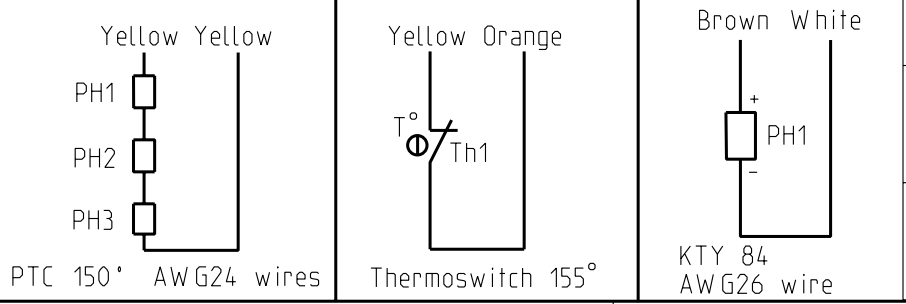
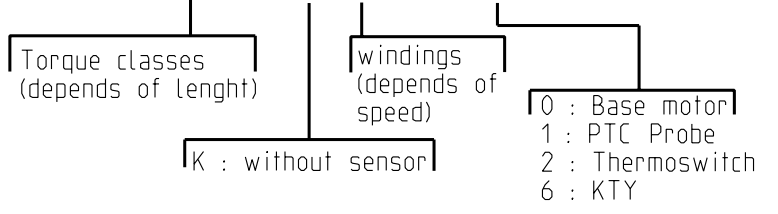


Wires AWG20 (0.517mm²)
 Black : U
 White : V
 Red : W
 Outside diameter on sleeve 2.61±0.1
 Length : 150 mm±15

No conductive or magnetic parts should enter areas specified in dotted line

Windings are sensitive parts. They should not be striped or submitted shocks

N K 3 _ _ E _ _ R 1 _ 0 0



	L1	L2	Weight
NK305	22.5	22.5	0.6 Kg
NK310	45	45	1 Kg

This document is the property of PARVEX. Transmission as well as reproduction or copy is not permitted without written authorisation.

General tolerances
 DIN ISO 2768 mK

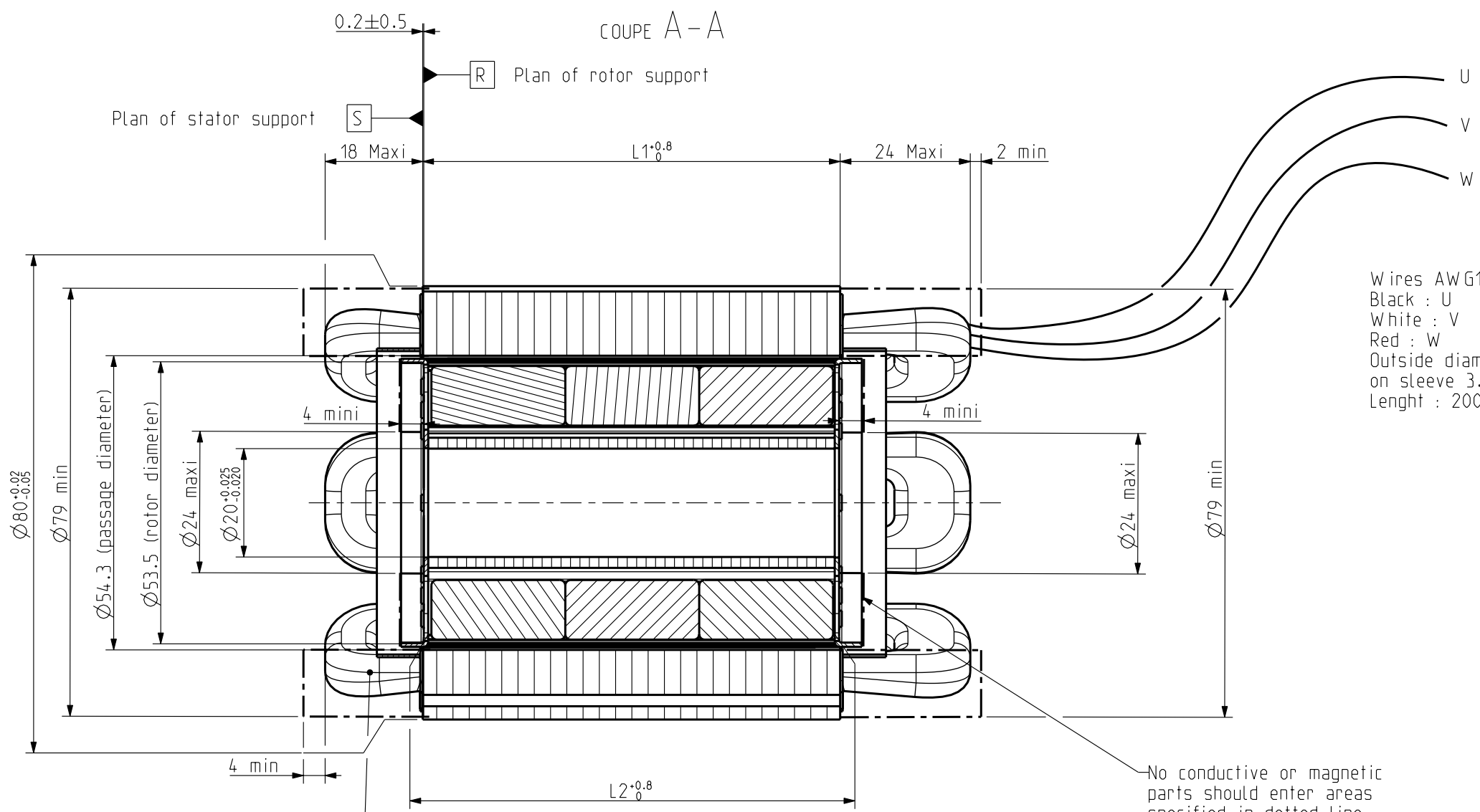
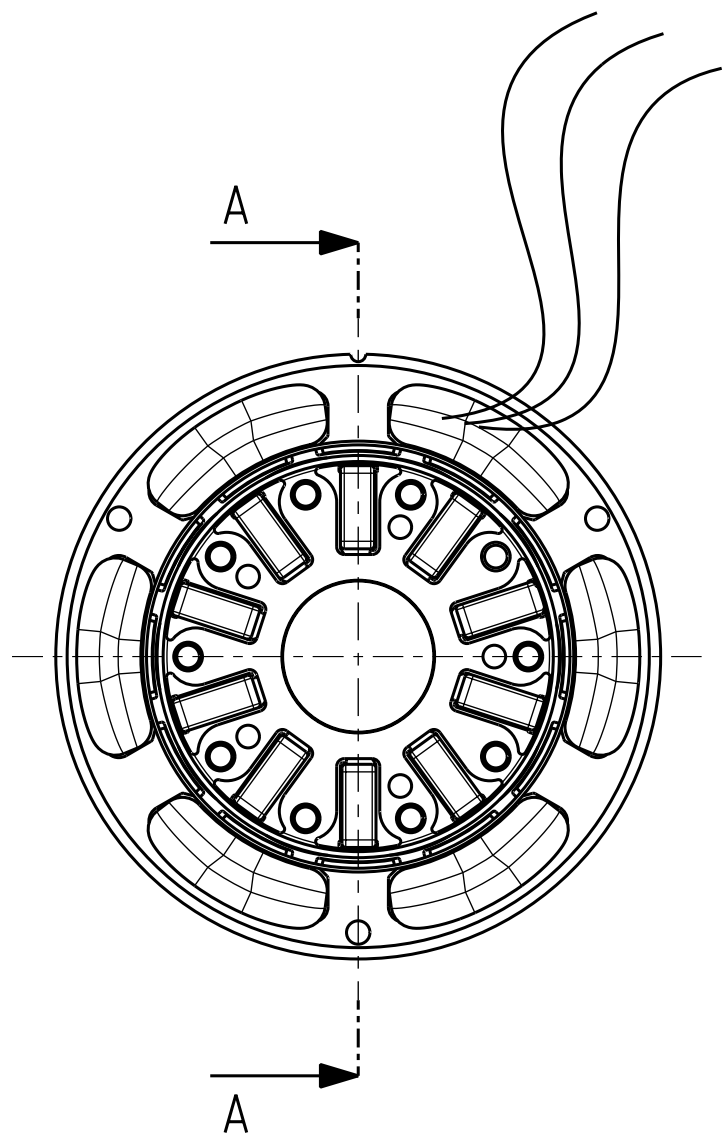
Drawn	11/03/10	OD	Visa				
Modifications	C	AM 23556 23/02/11 YG					
	B	AM 23507 02/12/10 OD					
	A	AM 23481 12/10/10 OD	D	AM 24198 04/10/13 AH			

Scale
 3:2

8 Avenue du Lac. BP249
 21007-DIJON cedex-FRANCE
 www.SSDdrives.com

NK300
 OUTLINE DRAWING

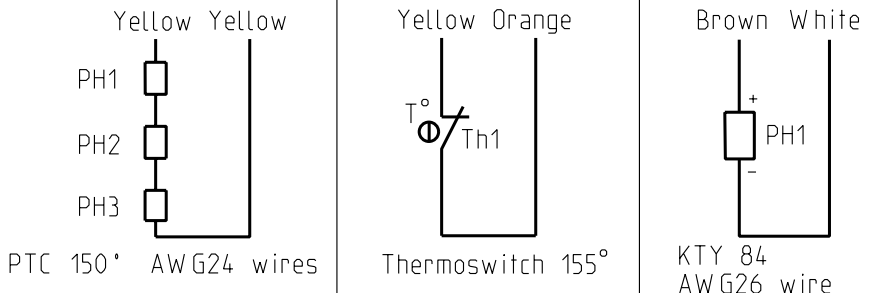
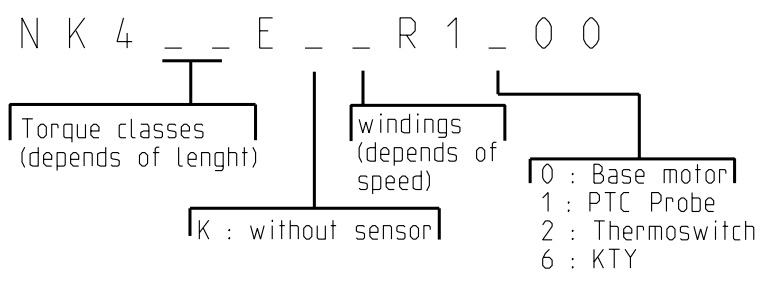
Format	F	E	S	G	I	
A3	x					
344445						D



Wires AWG16 (1.31mm²)
 Black : U
 White : V
 Red : W
 Outside diameter
 on sleeve 3.07±0.1
 Length : 200 mm±20

No conductive or magnetic parts should enter areas specified in dotted line

Winding are sensitive parts. They should not be striped or submitted to shocks



	L1	L2	Weight
NK420	52	51.6	2 kg
NK430	77	76.6	2.8 kg

This document is the property of PARVEX. Transmission as well as reproduction or copy is not permitted without written authorisation.

General tolerances
 DIN ISO 2768 mK

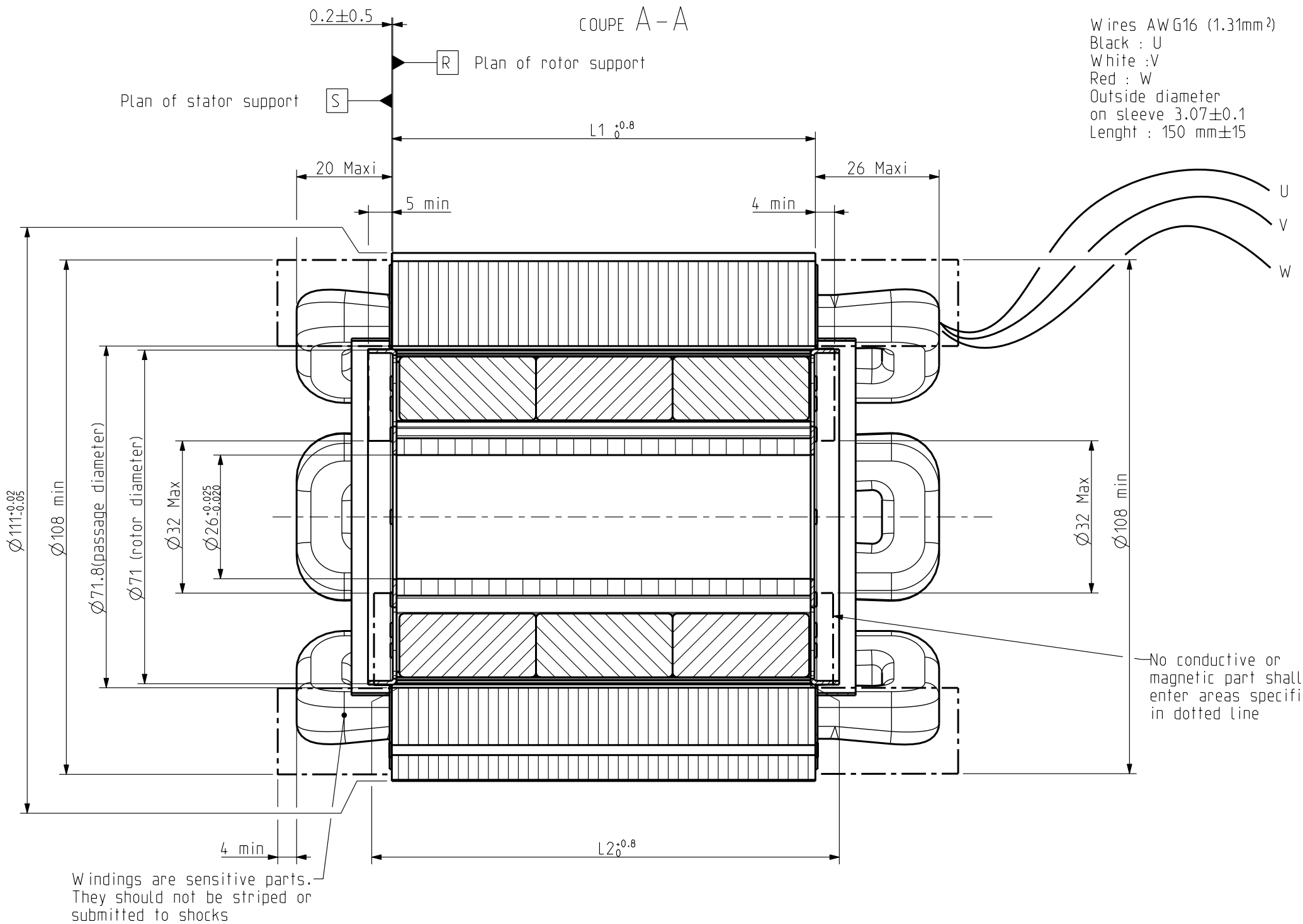
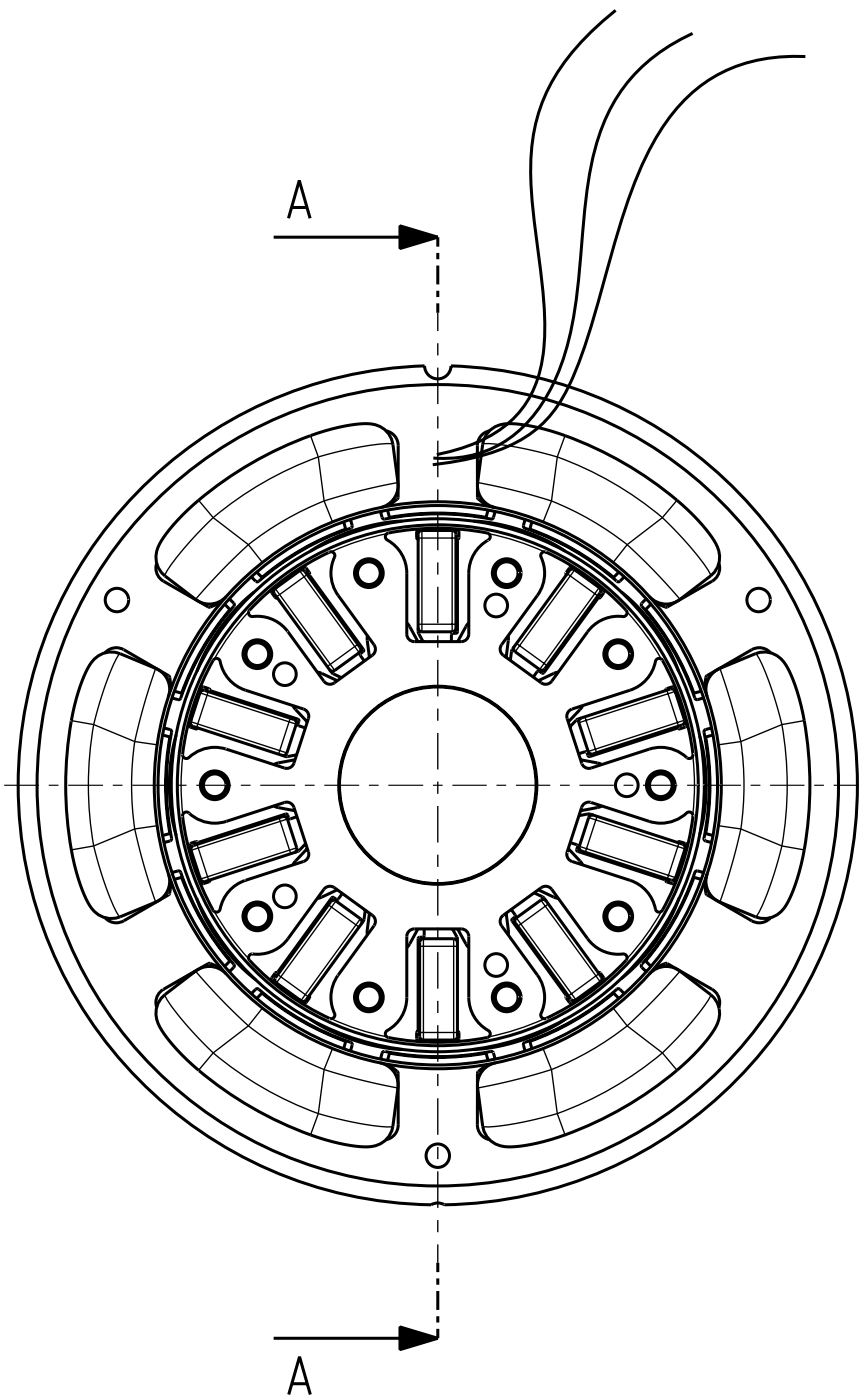
Drawn	11/03/10	OD	Visa						
Modifications	C	AM 24198 04/10/13 AH							
	B	AM 23507 02/12/10 OD							
	A	AM 23481 12/10/10 OD							

Scale 1:1

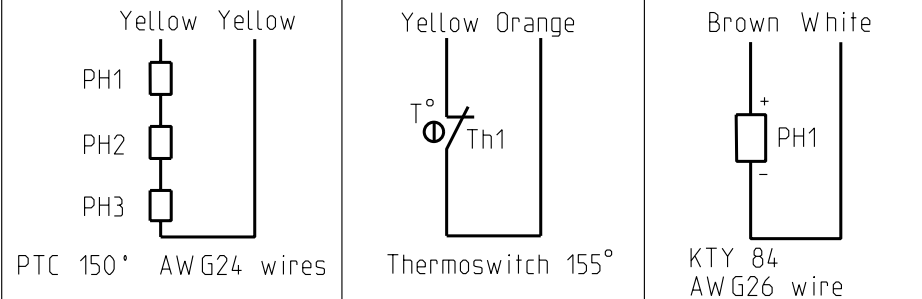
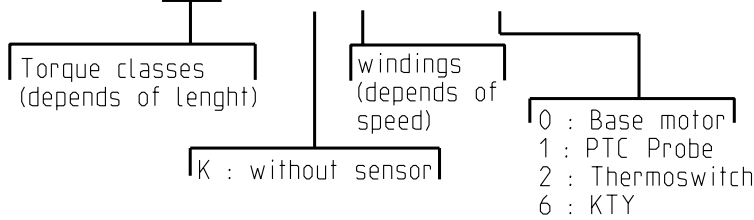
8 Avenue du Lac. BP249
 21007-DIJON cedex-FRANCE
 www.SSDrives.com

NK400
 OUTLINE DRAWING

Format	F	E	S	G	I
A3		x			
344446					



N K 6 _ _ E _ _ R 1 _ 0 0



	L1	L2	Weight
NK620	60	59.6	4.3 kg
NK630	89	88.6	6 kg

This document is the property of PARVEX. Transmission as well as reproduction or copy is not permitted without written authorisation.

General tolerances
 DIN ISO 2768 mK

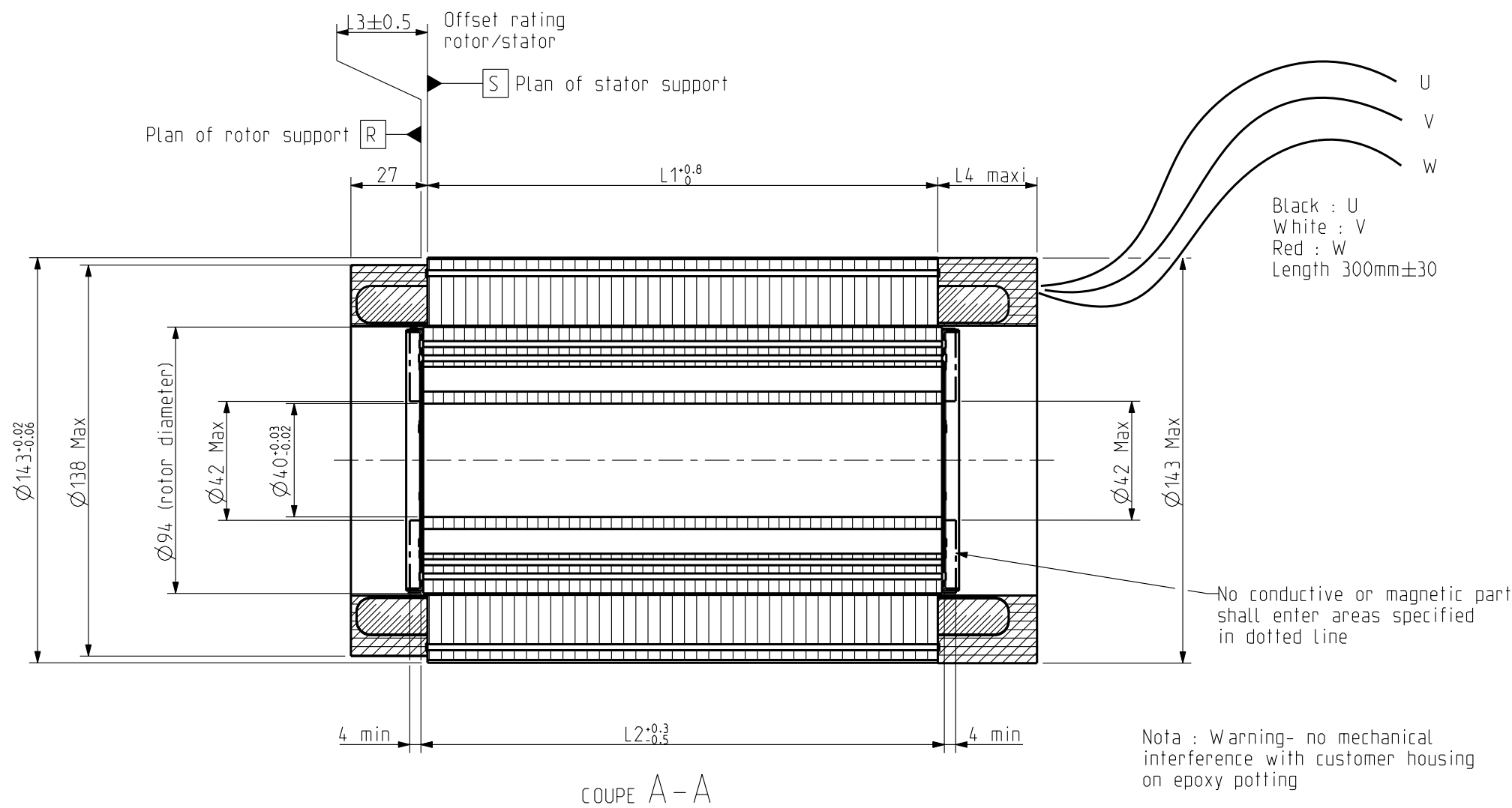
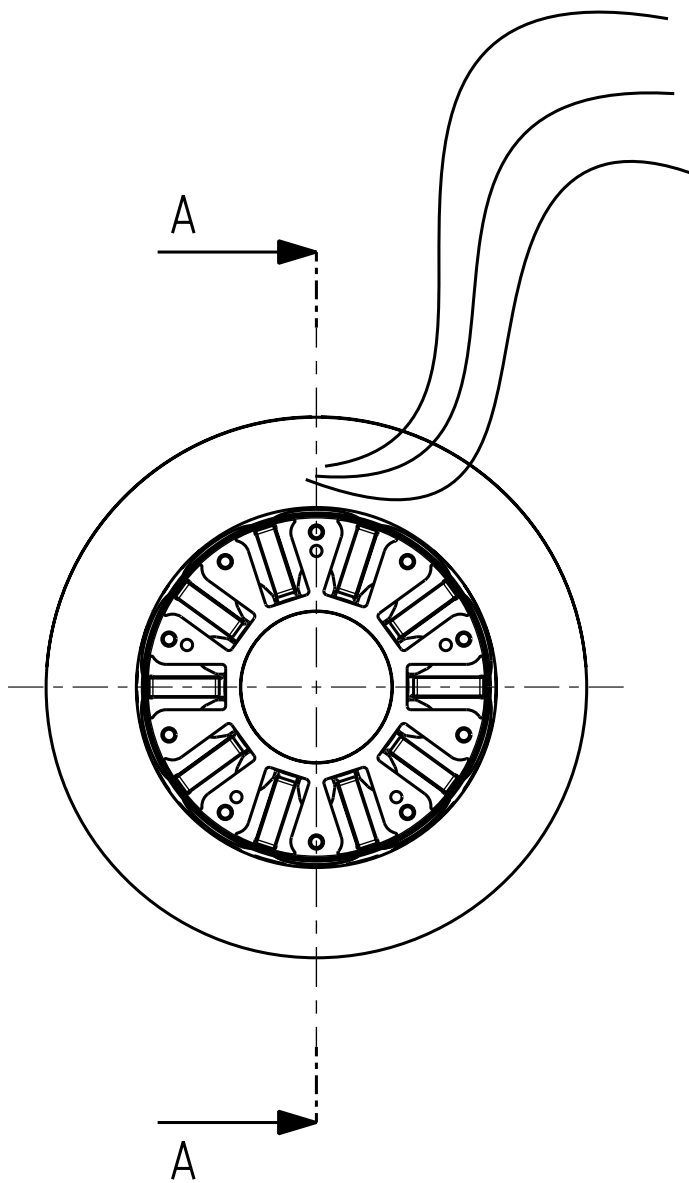
Drawn	11/03/10	OD	Visa
Modifications	C AM 24198 04/10/13 AH		
	B AM 23507 02/12/10 OD		
	A AM 23481 12/10/10 OD		

Scale 1:1

8 Avenue du Lac. BP249
 21007-DIJON cedex-FRANCE
 www.SSDrives.com

NK600
 OUTLINE DRAWING

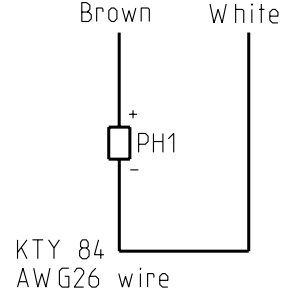
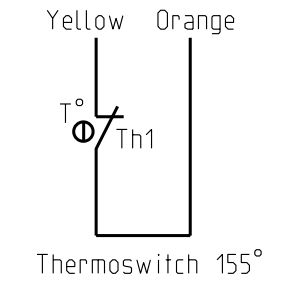
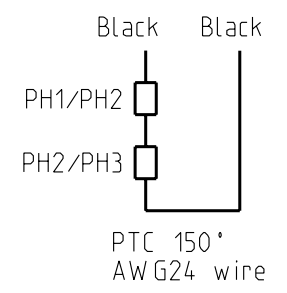
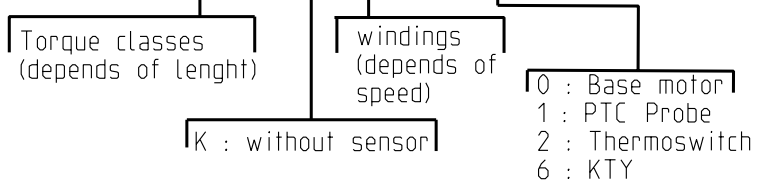
Format	F	E	S	G	I
A3	x				
344447					



U
V
W
Black : U
White : V
Red : W
Length 300mm±30

Nota : Warning- no mechanical interference with customer housing on epoxy potting

N K 8 _ _ E _ _ R 1 _ 0 0



		Conductor section	L1	L2	L3	L4	Weight
NK812		AWG14 (2.08mm ²)	35	39.6	2.3	32	2 kg
NK820	EAR	AWG14 (2.08mm ²)	60	62.6	1.3	32	6.5 kg
	EAX						
NK840	EAH	AWG14 (2.08mm ²)	120	123.6	1.8	32	12 kg
	EAK						
	EAL						
NK860	EAJ	AWG14 (2.08mm ²)	180	184.6	2.3	32	17 kg
	EAF	AWG10 (5.26mm ²)				35	17 kg

This document is the property of PARVEX. Transmission as well as reproduction or copy is not permitted without written authorisation.

General tolerances
DIN ISO 2768 mK

Drawn	11/03/10	OD	Visa				
Modifications	C	AM 23501 18/11/10 OD	F	AM24144 - 19/06/2013 PF			
	B	AM 23481 12/10/10 OD	E	AM 23873 06/06/12 AH			
	G	AM 24198 04/10/13 AH	D	AM 23507 02/12/10 OD			

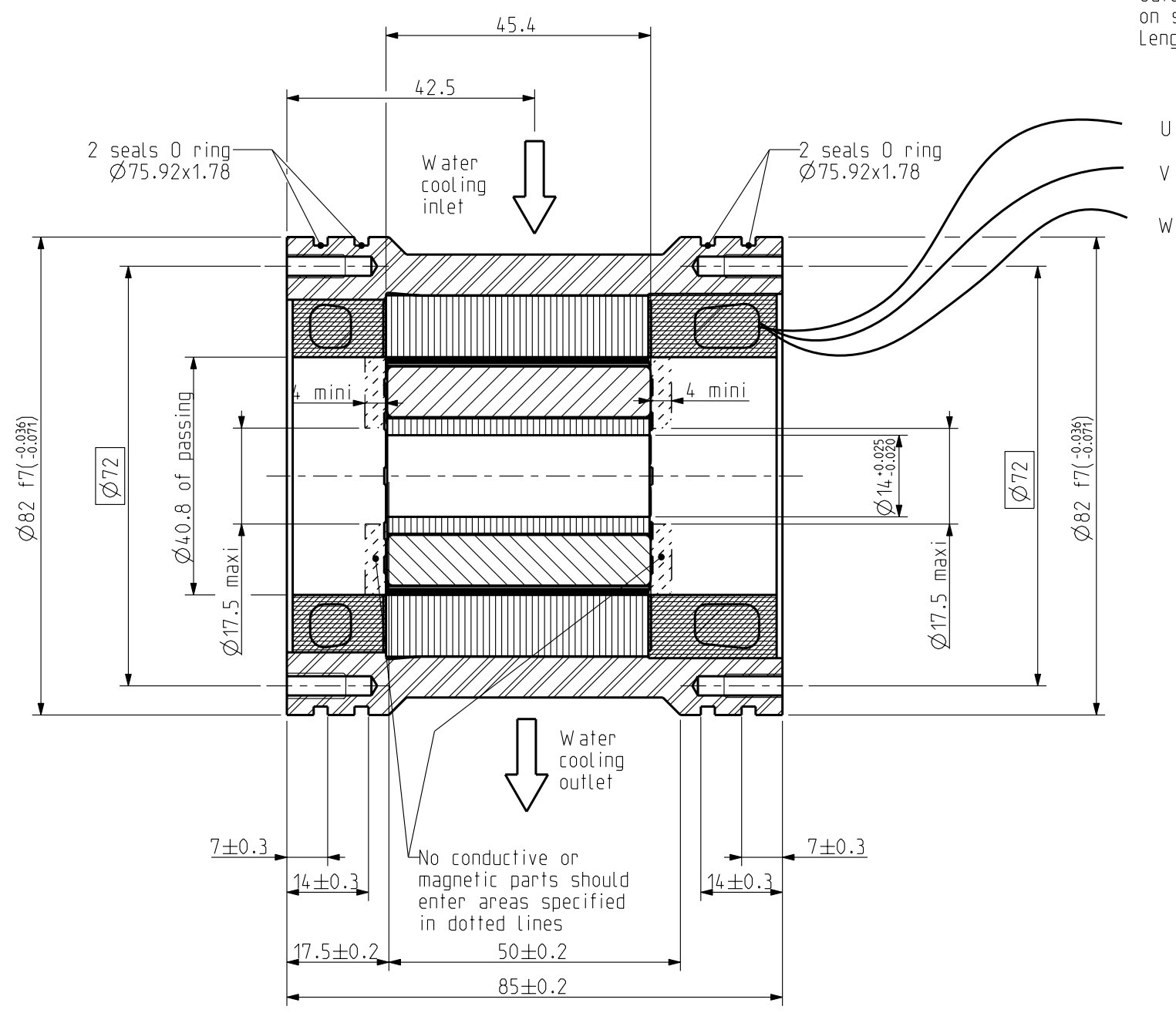
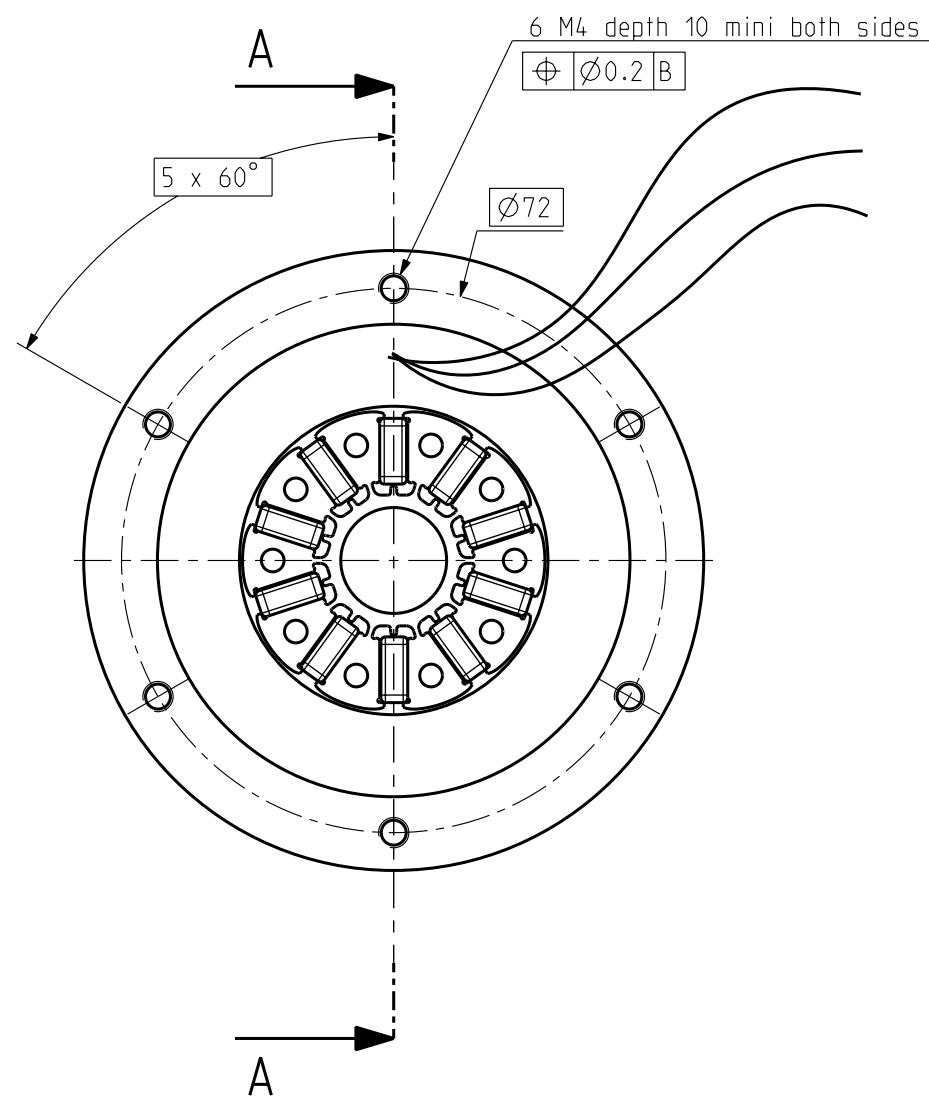
Scale
1:2



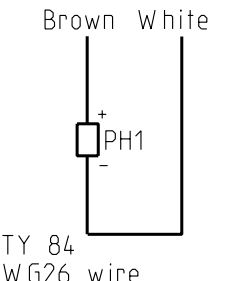
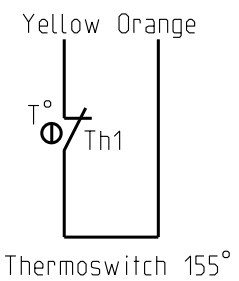
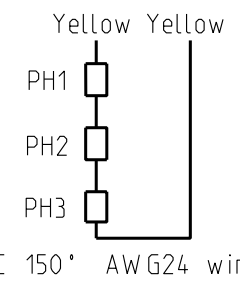
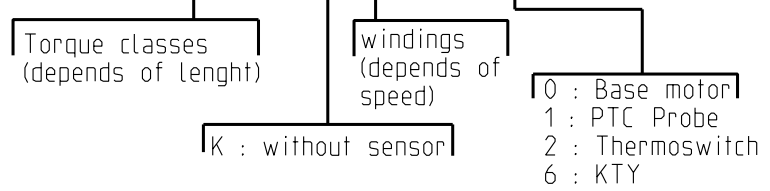
NK800
OUTLINE DRAWING

Format A3
F E S G I
x
344448
G

Wires : AWG18 (0.823mm²)
 Black : U
 White : V
 Red : W
 Outer diameter
 on sleeve : 2.82±0.1 mm
 Length : 150 mm±15



N K 3 1 0 W _ _ R 1 _ 0 0



Drawing valid for:

Weight:
 This document is the property of PARVEX. Transmission as well as reproduction or copy is not permitted without written authorisation.

Drawn	31/05/10	OD	Visa						
Modifications	B	AM 24198 04/10/13 AH							
	A	AM23465 - 14/09/10 OD							

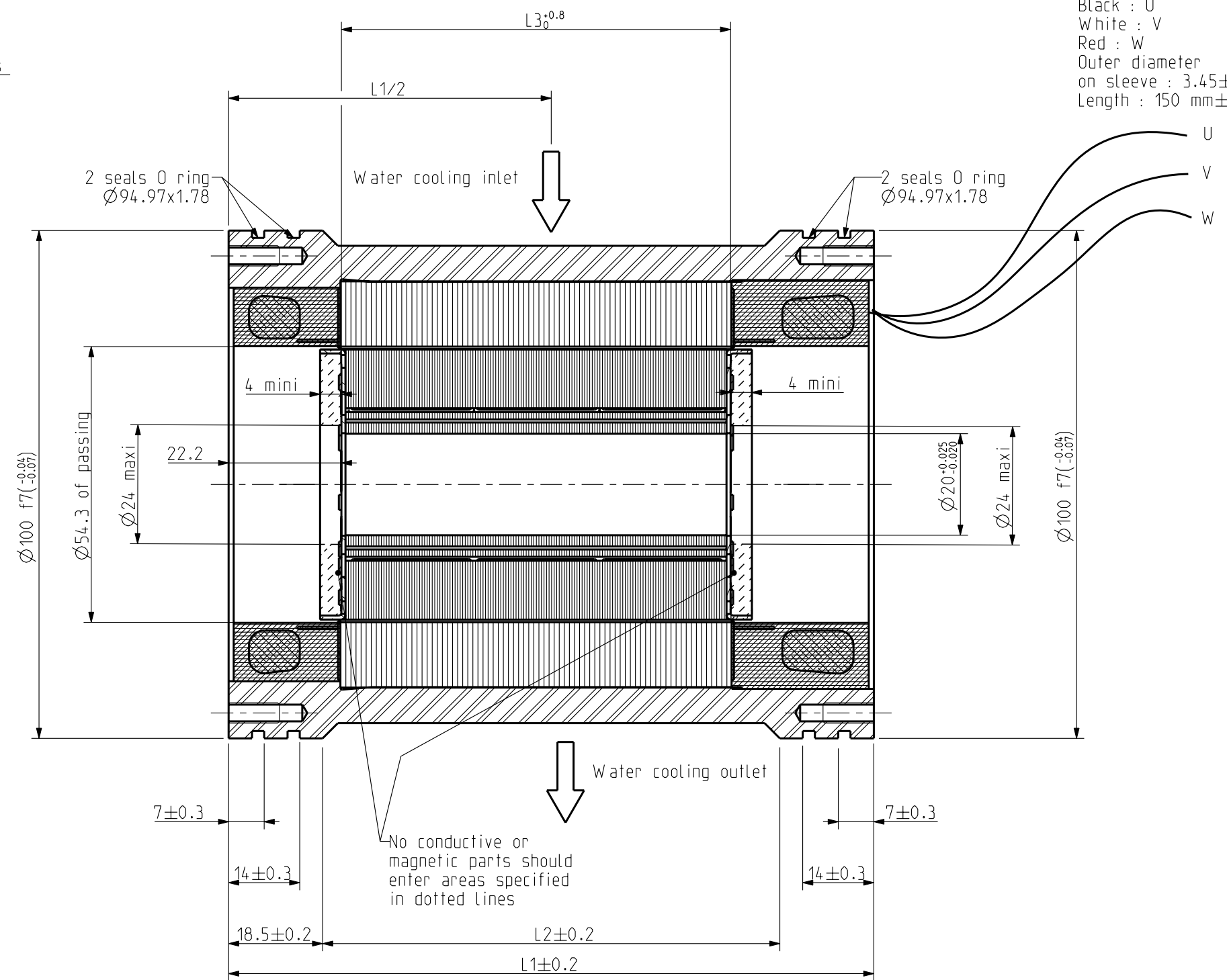
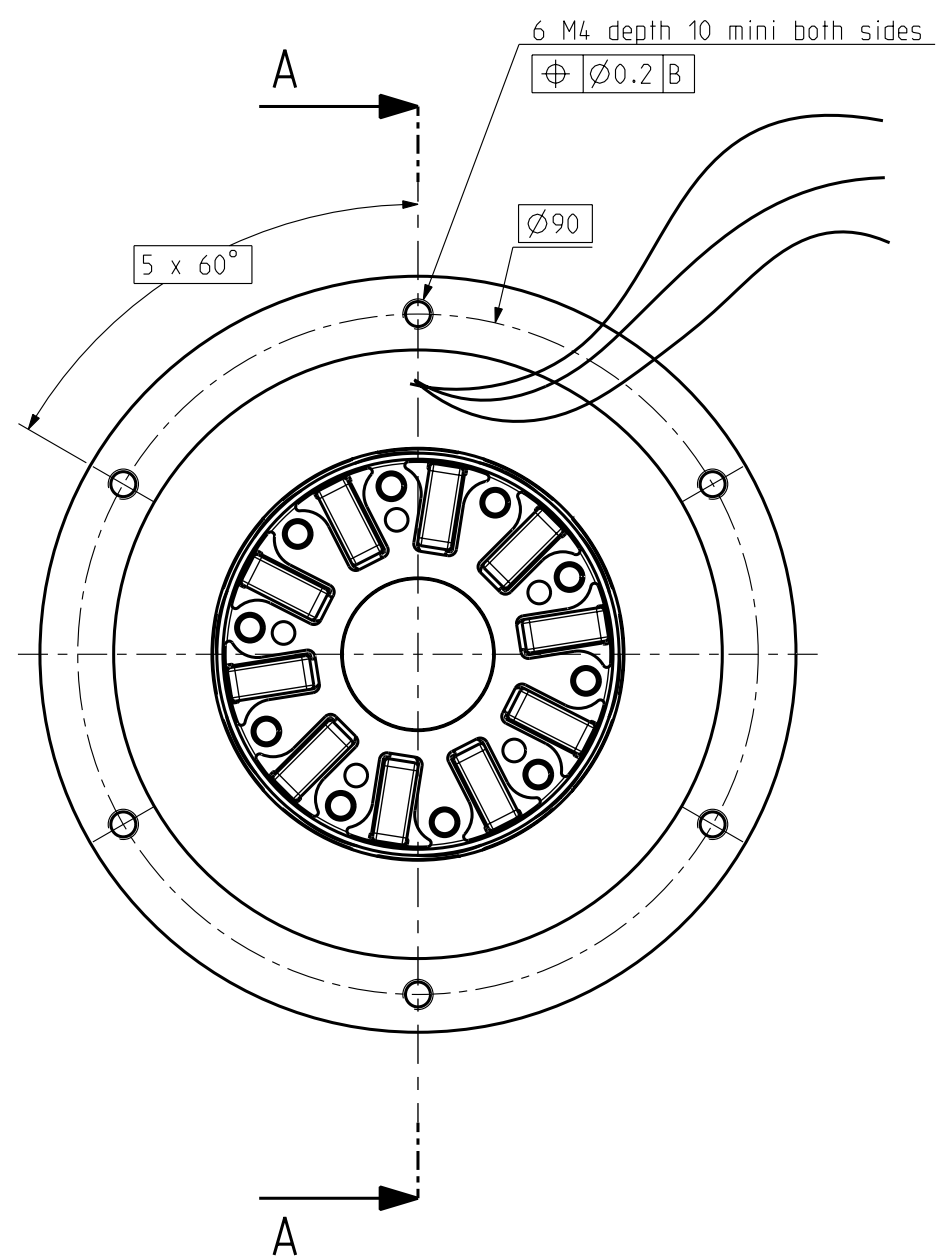
Scale
 1:1



NK310W
 OUTLINE DRAWING

Format	F	E	S	G	I		
A3	x						
345168							B

Wires : AWG14 (2.082mm²)
 Black : U
 White : V
 Red : W
 Outer diameter
 on sleeve : 3.45±0.1 mm
 Length : 150 mm±15

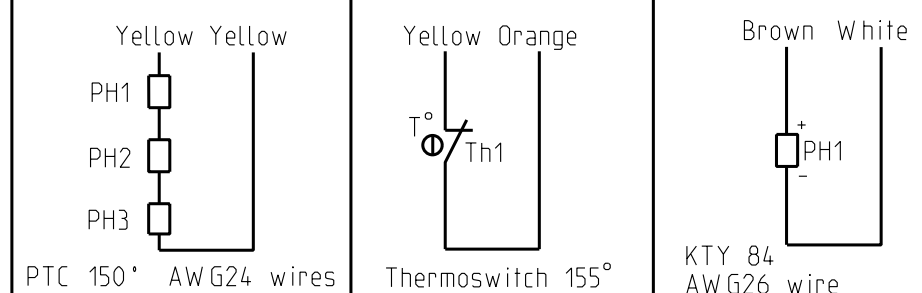


No conductive or magnetic parts should enter areas specified in dotted lines

N K 4 2 0 W _ _ R 1 _ 0 0

Torque classes (depends of length)
 windings (depends of speed)
 K : without sensor

0 : Base motor
 1 : PTC Probe
 2 : Thermoswitch
 6 : KTY



	L1	L2	L3
NK420W	102	65	51.6
NK430W	127	90	76.6

Drawing valid for:

Weight:
 This document is the property of PARVEX. Transmission as well as reproduction or copy is not permitted without written authorisation.

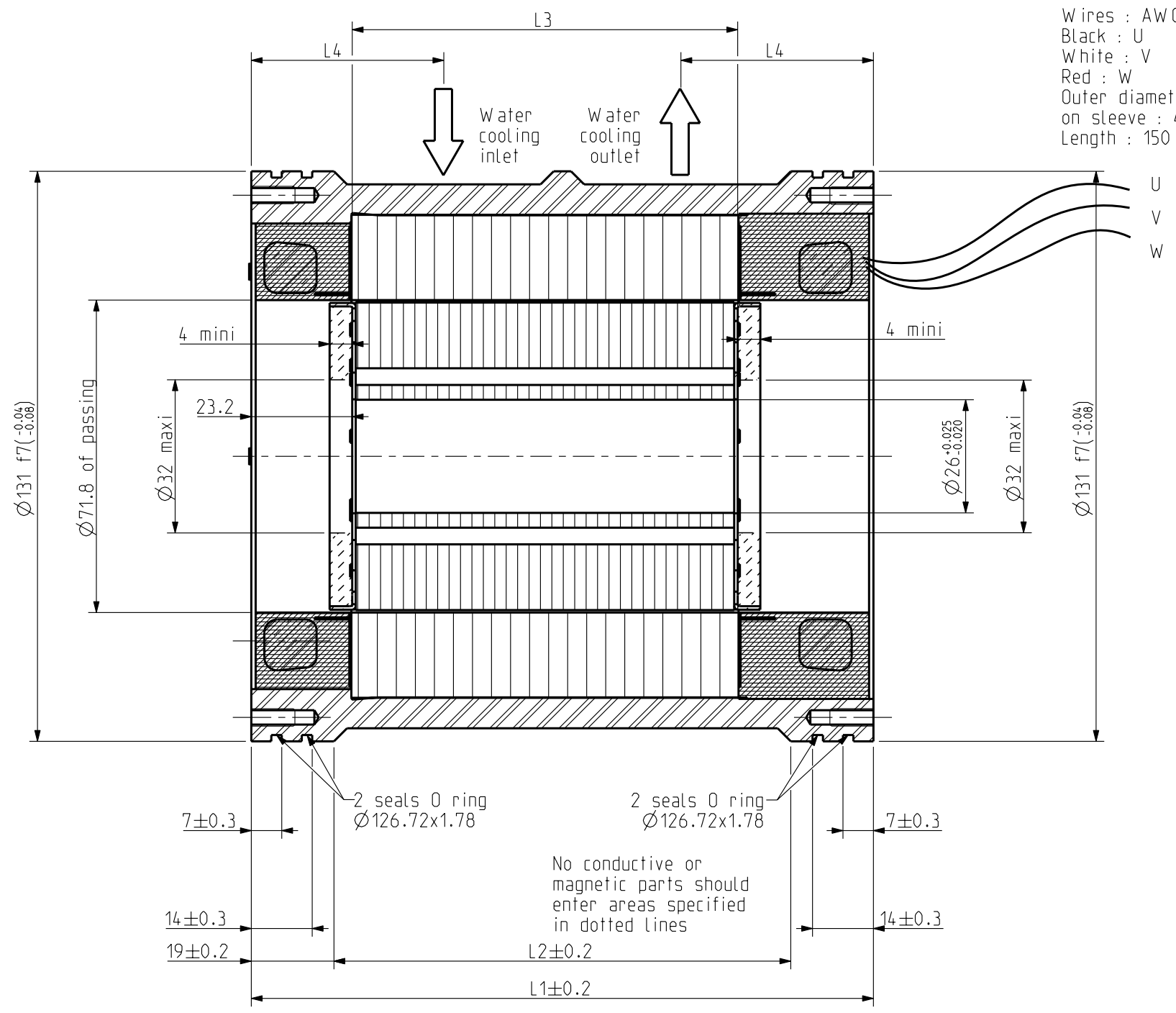
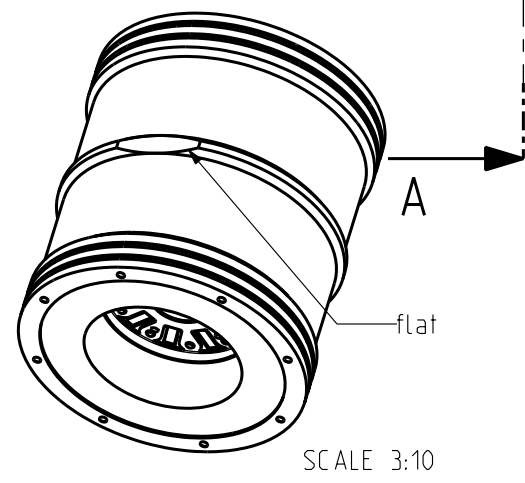
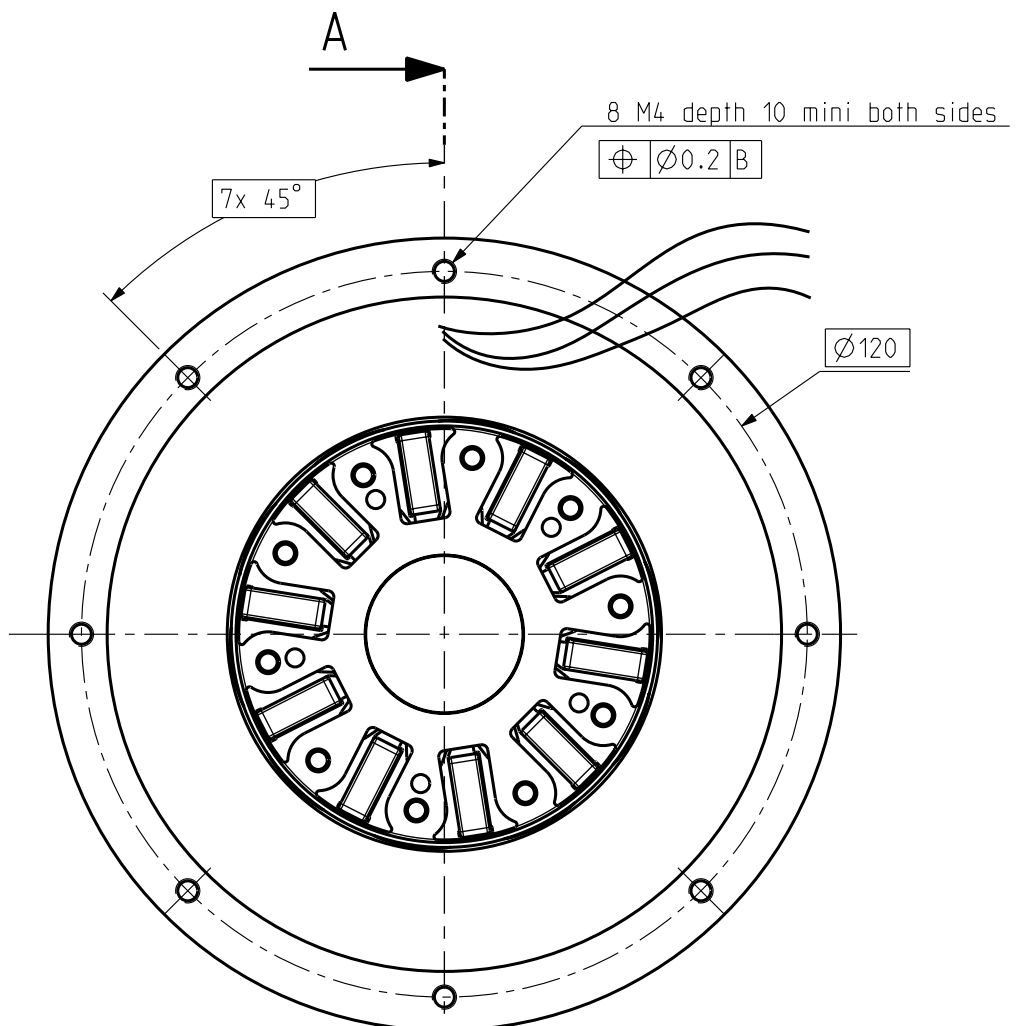
Drawn	31/05/10	OD	Visa					
Modifications	B	AM 24198 04/10/13 AH						
	A	AM23465 - 14/09/10 OD						

Scale: 1:1

8 Avenue du lac. BP 249
 21007-DIJON cedex-FRANCE
 www.parker.com

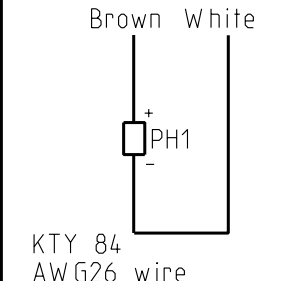
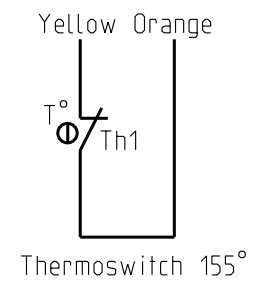
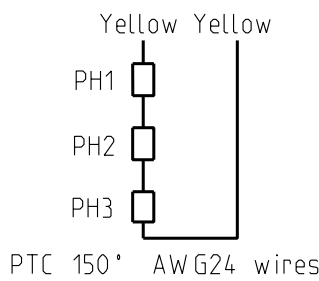
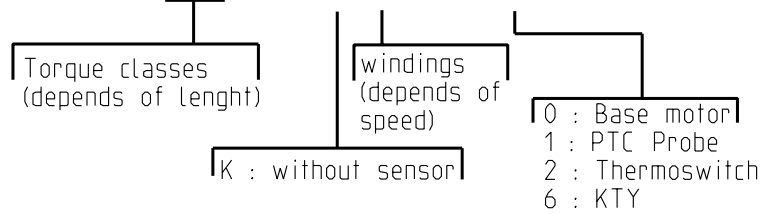
NK400W
 OUTLINE DRAWING

Format	F	E	S	G	I	
A3	x					
345169						B



Wires : AWG10 (5.262mm²)
 Black : U
 White : V
 Red : W
 Outer diameter on sleeve : $4.68 \pm 0.15 \text{ mm}$
 Length : $150 \text{ mm} \pm 15$

N K 6 2 0 W _ _ R 1 _ 0 0



	L1	L2	L3	L4
NK620W	114	76	59.6	38
NK630W	143	105	88.6	45

Drawing valid for:

Weight:

This document is the property of PARVEX. Transmission as well as reproduction or copy is not permitted without written authorisation.

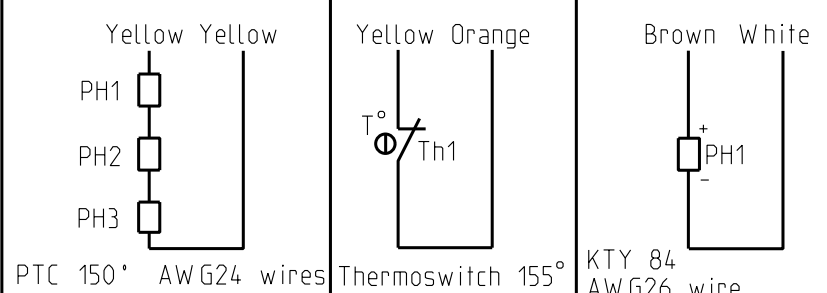
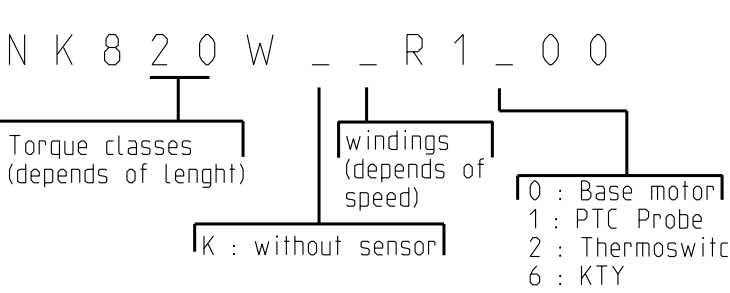
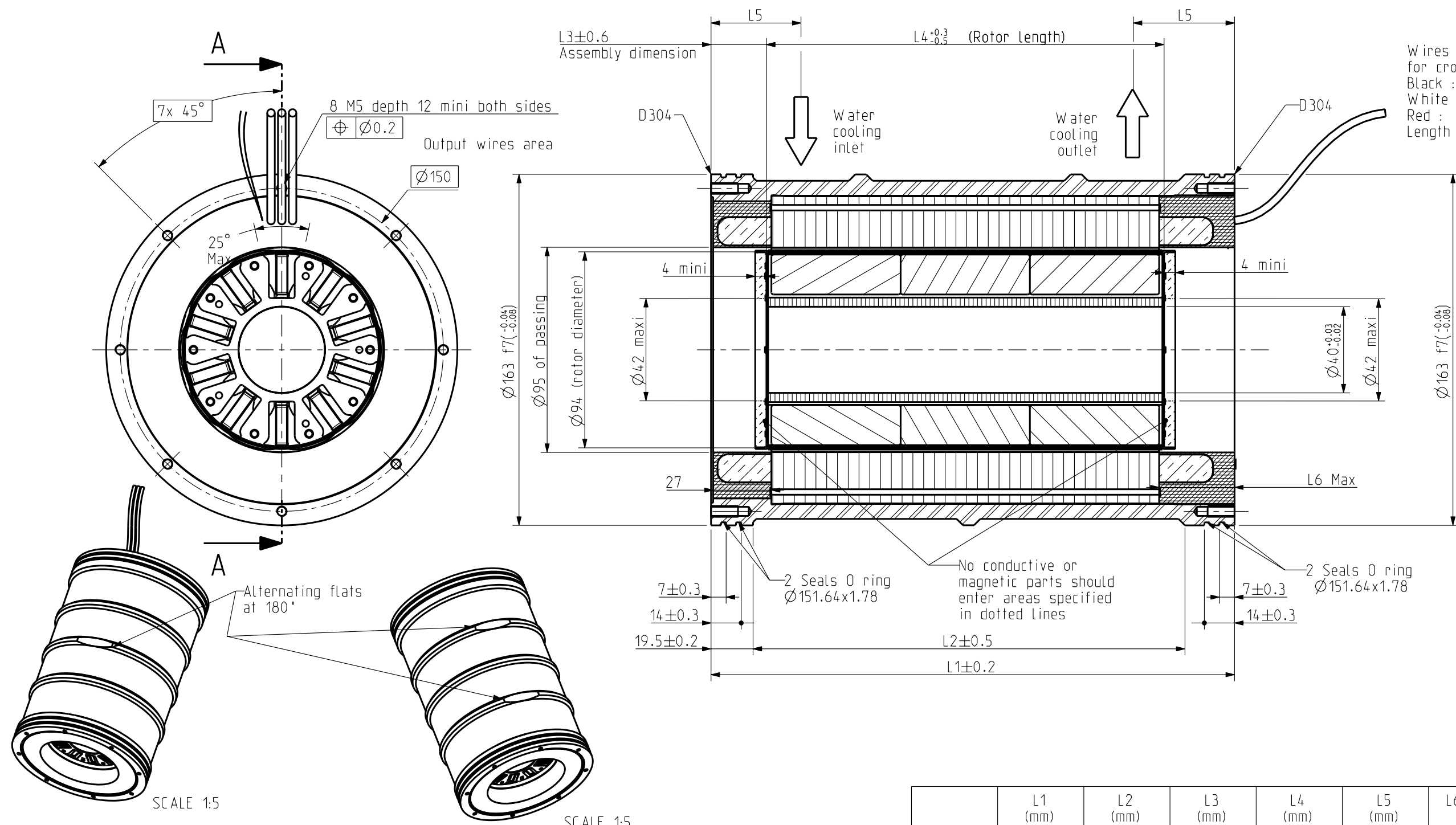
Drawn	31/05/10	OD	Visa						
Modifications	B	AM 24198 04/10/13 AH							
	A	AM23465 - 14/09/10 OD							

Scale
 4:5



NK600W
 OUTLINE DRAWING

Format	F	E	S	G	I
A3	x				
345170					B



	L1 (mm)	L2 (mm)	L3 (mm)	L4 (mm)	L5 (mm)	L6 Max (mm)	Wire Cross section	Weight (kg)
NK812W	95	55.5	25.7	39.6	33	32	AWG14 (2.08 mm ²)	5
NK820W	120	80.5	26.7	62.6	40	32	AWG10 (5.26 mm ²)	8
NK840W	180	140.5	26.2	123.6	55	32	AWG10 (5.26 mm ²)	13
NK860W	243	200.5	25.7	184.6	48	35	10 mm ²	19

Drawing valid for:

Weight:

This document is the property of PARVEX. Transmission as well as reproduction or copy is not permitted without written authorisation.

Drawn	31/05/10	OD	Visa						
Modifications	C	AM 23501	18/11/10	OD					
	B	AM 23478	07/10/10	OD	E	AM 24198	04/10/13	AH	
	A	AM23465	14/09/10	OD	D	AM 23509	06/12/10	BB	



NK800W

OUTLINE DRAWING

Format	F	E	S	G	I
A3		x			

345171